

PLC-2700 Series

Post-bed, Unison-feed, Lockstitch Machine with Vertical-axis Large Hook

It is the most-advanced sewing machine which is best-suited to the sewing of heavy weight materials sewing processes such as car-seats, sofas and sports goods.



1-needle
type

PLC-2710

(without automatic thread trimmer)

PLC-2710-7

(with automatic thread trimmer)

PLC-2710S-7-0BB/CP-180C



2-needle
type

PLC-2760

(without automatic thread trimmer)

PLC-2760-7

(with automatic thread trimmer)

PLC-2760L

(thick-thread type)

PLC-2765

(organized split needlebars type)

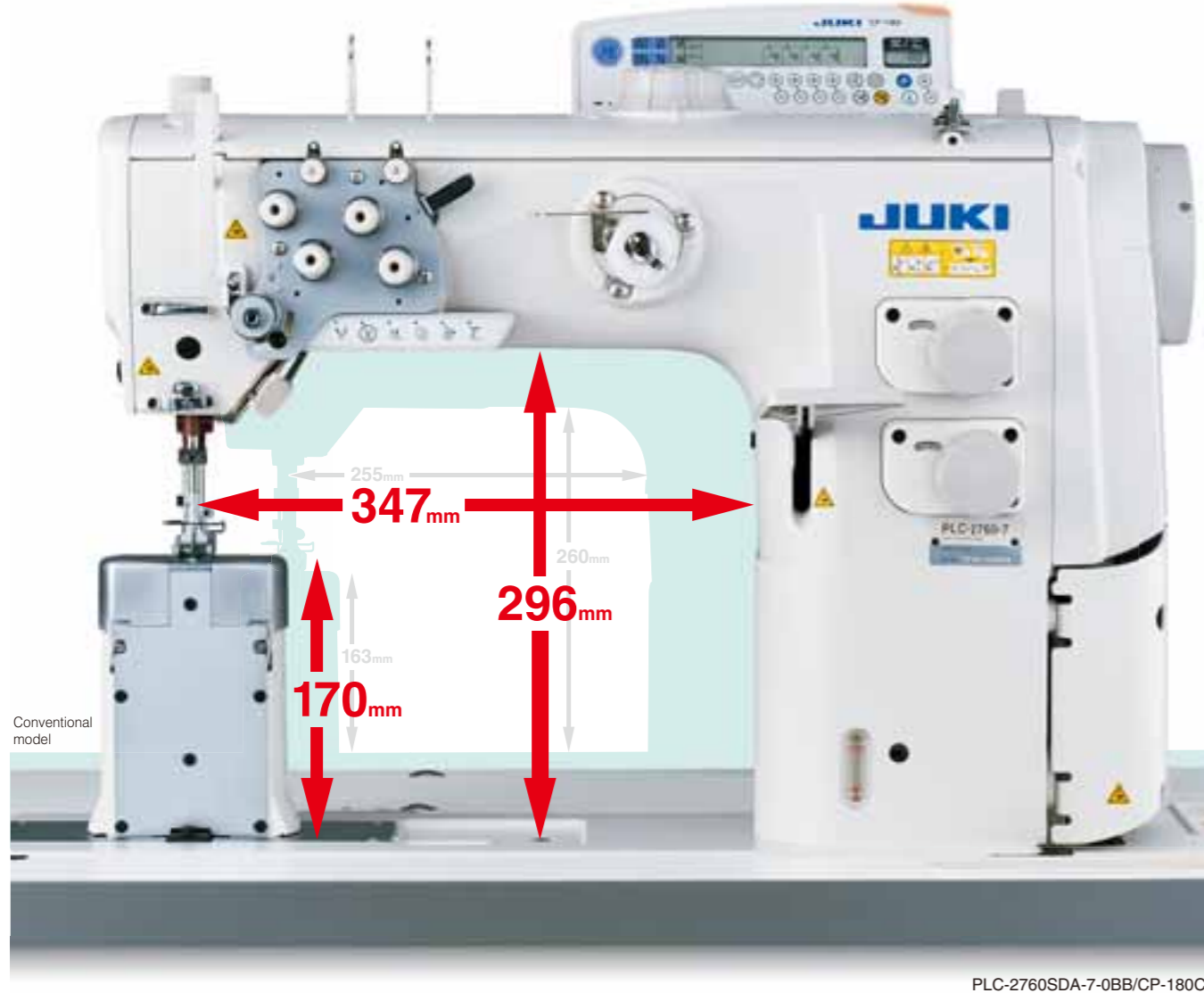
PLC-2760SDA-7-0BB/CP-180C

Post-bed, Unison-feed, Lockstitch Machine with Vertical-axis Large Hook

PLC-2700 Series

Most-advanced machine best suited to the stitching for heavy weight materials.

The long distance from the machine arm to the needle contributes to improved workability



PLC-2760SDA-7-0BB/CP-180C

Conventional model

Stitches with authentic quality

〈All PLC-2700 Series has achieved the max stitch length of 12mm.〉

3D stitch

for car seat of head rest, arm rest, etc.



※ The machine is using the guide presser foot.

Topstitch

for car seat, sofas, etc.



Stitch length can be changed over among different lengths.

The sewing machine with a thread trimmer is provided as standard with a 2-pitch dial. One unit of this sewing machine is able to sew different sewing lengths since the sewing length can be instantaneously changed over.



Reduction of noise and vibration.

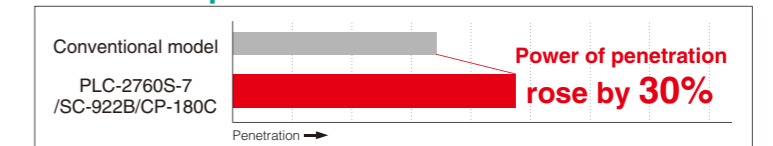
Reduce weight by using resin parts for surface of vibration point. Noise and vibration decrease by changing the gear of an Hook into a bevel gear.

High-torque direct-drive motor is installed.

The sewing machine provided with a thread trimmer has adopted a high-torque direct-drive motor which is suitable for heavy-weight materials. As a result, the sewing machine is excellent at its responsiveness and ensures increased penetration into the material even when sewing multi-layered parts.

※ It does not contain without automatic thread trimmer.

Power of penetration rose



Standard

PLC-2710-7 PLC-2760-7

Post-bed, Unison-feed, Lockstitch Machine with Vertical-axis Large Hook

It is the most-advanced sewing machine which is best-suited to the sewing of heavy weight materials sewing processes such as car-seats, sofas and sports goods.



PLC-2760SDA-7-0BB/CP-180C

PLC-2710 PLC-2760

Post-bed, Unison-feed, Lockstitch Machine with Vertical-axis Large Hook

The machine is the standard type without automatic thread trimmer, which is essential for topstitching processes.



PLC-2710

Functions for improving seam quality and workability.

Feed mechanism applied to different materials

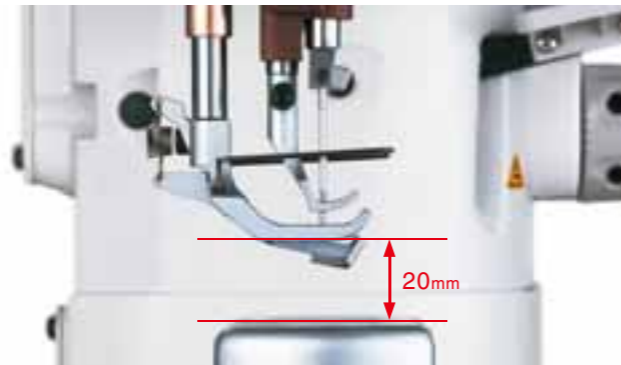
Walking-foot/presser-foot alternating vertical movement mechanism prevents irregular stitches

The sewing machine has adopted a feed mechanism which keeps the ratio between the amount of the vertical movement of the walking foot and that of the presser foot constant even when the material is changed. The amount of the alternating vertical movement of the walking foot and the presser foot is 9 mm at the maximum. This amount can be set with ease by means of the large dial installed on the upper section of the sewing machine.



Higher lift of the presser bar

A presser bar height of 20 mm is achieved when using the automatic presser bar lifting lever. Thanks to this feature, the process of joining leather and heavy-weight sponges, which are usually used as materials for expensive sofas, can be carried out with ease.



Eccentricity of the feed driving cam is adjustable.

Adjustment of the eccentricity of the feed driving cam has been enabled. As a result, the sewing machine is able to perform sewing with the feed that is best-suited to the material and thread used. It is no longer necessary to prepare other subclass model sewing machines.



The upper and lower feed ratio is adjustable

The upper and lower feed ratio can be changed only by the adjustment of the lower feed amount without changing the upper feed amount, thereby preventing material slippage.



Excellent operability by the new mechanism

New mechanism of thread trimmer

Thread trimming can be stable even at the maximum 12mm sewing length.

Walking-foot/presser-foot alternating vertical movement mechanism prevents irregular stitches

The hook which can be adjusted with screw amount of needle guard contact to needle. The needle guard can be easily adjusted. Therefore, it prevents stitch skipping and wear of hook edge.



New lubrication system

Oil does not flow backwards by a valve system. Therefore, oil can be supplied certainly even low speed. Thanks to the stable lubrication to the hook, it produces beautiful seams.



Double tension provided as : standard

The machine is able to perform sewing with low-count thread under a higher tension, which is difficult for the conventional single-tension method, with ease. The machine comes with a dual-tension thread tension system.

Multi-functional 6-string switch (with automatic thread trimmer)

Single or Double can be set easy through Multi-functional 6-string switch, regarding the machine with trimmer. (Available for more thick material) In addition to the one-touch type reverse feed switch, a multi-functional 6-string switch is also provided. Changeover of the amount of the alternating vertical movement of the walking foot and the presser foot and changeover of the stitch length can be done simply with this one push.



New bobbin thread spool device

New bobbin thread spool device is no necessity of rolling thread manually.



Subclass

PLC-2760L

2-needle, Post-bed, Unison-feed, Lockstitch Machine with Vertical-axis Large Hook (Thick-thread type)

Thanks to the hook, thread-take up and gauges exclusively designed for PLC-2760L, the machine can sew with thread count up to #6. The machine is provided with the exclusive top and bottom feed locus ideal for sewing with thick-thread.



PLC-2760L

PLC-2765

2-needle, Post-bed, Unison-feed, Lockstitch Machine with Vertical-axis Large Hook (Organized split needlebars type)

With its organized split needlebars, the machine produces well-balanced topstitch-seams even at the corners of materials such as sofas.



PLC-2765

OPTION

Suspended ruler H152

Description	Parts No.
Suspended ruler (asm.) H152	MAH-152010A0
Suspended ruler adapter plate	40112214
Screw	SM6051402TP x2
Screw	SM6061402TP x2

Knee switch (asm.)

Description	Parts No.
Knee switch (asm.)	40025036
Screw	SK3514000SC x2

Combination of the machine head specifications and optional devices at the time of delivery

- ① AK device kit : [40138572]
- ② BT/DL device kit (with hand switch) : [40138898]
- ③ AK/BT/DL device kit (with hand switch) : [40138573]

	Machinen-head mounted device (at the time of delivery)				gauge size (mm)	Optional (possible to retrofit) devices
	AK device	BT device	DL device	Hand switch		
PLC-2710	—	—	—	—	—	① or ③
	○	—	—	—	—	②
	○	○	○	○	—	—
PLC-2710-7	○	○	○	○	—	—
PLC-2760	—	—	—	—	6/8/10/12	① or ③
	○	—	—	—	6/8/10/12	②
	○	○	○	○	6/8/10/12	—
PLC-2760-7	○	○	○	○	6/8/10/12	—

List of gauge components

1-needle

Part	Throat plate	Feed dog	Presser foot (asm.)	Walking foot (asm.)	Feed Lever base cover	Side cover F (asm.)	Side cover A (asm.)
PLC-2710	●		●	●	●	●	●
PLC-2710-7		●	●	●	●	●	●
Shape							
Part No.	40130068	40130067	40130061	10712552	10711653	40129979	40134098

2-needle

Part	Throat plate			Feed dog		Presser foot (asm.)
PLC-2760	●					●
PLC-2760-7		●				●
PLC-2760L			●			●
PLC-2765	●			●		●
Shape						
Part No.	Needle gauge					
	6mm	40131017	40130927	—	40130925	—
	8mm	40131016	40130908	—	40130907	—
	10mm	40130065	40130064	40130066	40130062	40130063
	12mm	40131018	40130928	—	40130926	—

Part	Presser foot of right (asm.)	Presser foot of left (asm.)	Presser foot with a center guide (asm.)	Center guiding walking foot	Side cover (asm.)
PLC-2760	●		●	●	●
PLC-2760-7		●	●	●	●
PLC-2760L			●		●
PLC-2765	●	●	●	●	●
Shape					
Part No.	Needle gauge				
	6mm	—	—	40038810	40038854
	8mm	40062043	40062041	40038808	40038852
	10mm	23023856	23021355	40038806	40038850
	12mm	—	—	40038802	40038848

WHEN YOU PLACE ORDERS

Please note when placing orders, that the model name should be written as follows:

Machine head

1-needle (without automatic thread trimmer)

PLC2710S□□□□□□□□

Pneumatic auto-lifter	Code	Device	Code
Not provided	—	Not provided	—
AK (Pedal switch type)	B	With BT device and DL device	/BT/DL

* /BT/DL type can applied only for head with AK

1-needle (with automatic thread trimmer)

PLC2710S70BB

Pneumatic auto-lifter	Code
AK (Pedal switch type)	B

2-needle (without automatic thread trimmer)

Specifications	Code	Presser foot	Code
Standard	S	With a center guide	A
Thick-thread type	L		

PLC2760□□A□□□□□□□□

Needle gauge	Code	Pneumatic auto-lifter	Code	Device	Code
6mm	B	Not provided	—	Not provided	—
8mm	C	AK (Pedal switch type)	B	With BT device and DL device	/BT/DL
10mm	D				
12mm	E				

* /BT/DL type can applied only for head with AK
* In the case where L (Thick-thread type) is selected for the specification category, the needle gauge D (10mm) is only applicable.

2-needle (with automatic thread trimmer)

PLC2760S□A70BB

Needle gauge	Code	Presser foot	Code	Pneumatic auto-lifter	Code
6mm	B	With center guide	A	AK (Pedal switch type)	B
8mm	C				
10mm	D				
12mm	E				

2-needle, organized split needlebars type (without automatic thread trimmer)

Presser foot	Code
With center guide	A

PLC2765S□A□□□□□□□□

Needle gauge	Code	Pneumatic auto-lifter	Code	Device	Code
8mm	C	Not provided	—	Not provided	—
10mm	D	AK (Pedal switch type)	B	With BT device and DL device	/BT/DL

* /BT/DL type can applied only for head with AK

Control box

SC922B□

Power supply	Code
Single-phase 100~120V	S
3-phase 200~240V	D
Single-phase 200~240V (for general export)	K
Single-phase 200~240V (for ce)	N
Single-phase 200~240V (for china)	U

Panel

CP18C
CP180C

● To order, please contact your nearest JUKI distributor.

SPECIFICATIONS

Model name	PLC-2710	PLC-2710-7	PLC-2760	PLC-2760-7	PLC-2760L	PLC-2765
Type	1-needle		2-needle			
	without automatic thread trimmer (V-belt type)	with automatic thread trimmer (Direct-drive)	without automatic thread trimmer (V-belt type)	with automatic thread trimmer (Direct-drive)	thick-thread type (V-belt type)	organized split needlebars type (V-belt type)
Max. Sewing speed	2,500sti/min				2,000sti/min	2,500sti/min
Needle	135×17 Nm100~180 Standard Nm140				135×17 Nm140~200 Standard Nm200	135×17 Nm100~180 Standard Nm140
Thread	TEX 50~167				#8~#0	TEX 50~167
Max. stitch length	12mm (forward / backward)					
Stitch adjusting method	1 pitch dial	2 pitch dial	1 pitch dial	2 pitch dial	1 pitch dial	1 pitch dial
Thread take-up	Link type					
Automatic reverse feed function	Lever type	Pneumatic type	Lever type	Pneumatic type	Lever type	Lever type
Needle bar stroke	40mm					
Hook	Vertical-axis 2.0-fold capacity hook (latch type)					
Lift of the presser foot	By hand: 10mm Auto: 20mm					By hand: 10mm Auto: 18mm
Alternating vertical movement	1~9mm					
Alternating vertical movement adjusting method	Dial					
DL device	Option	Provided as standard	Option	Provided as standard	Option	Option
Safety mechanism	Provided as standard					
Bobbin thread winder	Built in the machine arm					
Bottom-feedmicro-adjustment mechanism	Provided as standard					
Lubrication	Automatic (Tank system)					
Distance from needle to machine arm	347mm					
Post height	170mm					
Knee-lifter	Provided as standard	—	Provided as standard	—	Provided as standard	Provided as standard
Auto-lifter	Option	Provided as standard	Option	Provided as standard	Option	Option
Weight of the machine head	76kg	81kg	79kg	84kg	79kg	80kg
Power requirement/ Power consumption	Single-phase 100~120V / 200~240V, 3-phase 200~240V / 193VA (with automatic thread trimmer)					
Air consumption	—	0.1dm ³ /min (ANR)	—	0.1dm ³ /min (ANR)	—	—

*"sti/min" stands for "Stitches per Minute."

JUKI ECO PRODUCTS	<p>The PLC-2700 Series is an eco-friendly product which complies with JUKI ECO PRODUCTS standards for protecting the environment.</p> <ul style="list-style-type: none"> ● This sewing machine reduces power consumption by 28% as compared with the conventional models. ● As compared with the conventional model, PLC-2700 Series reduces noise by 6.0 dB. ● The sewing machine complies with the "Juki Group Green Procurement Guidelines" on the use of hazardous substances, which is stricter than other restrictions, such as those of the RoHS Directive. <p>For details of JUKI ECO PRODUCTS, refer to: http://www.juki.co.jp/eco_e/index.html</p> <p><small>*The RoHS Directive is an EU Directive limiting the use of 6 hazardous substances (lead, hexavalent chromium, mercury, cadmium, PBB and PBDE) in electrical and electronic equipment. The Juki Green Procurement Guideline is the voluntarily established criteria to eliminate not only the aforementioned six substances, but also other ones which also adversely affect the environment.</small></p>
--------------------------	---------------------------------------------------------------------------------------------------------------------------------------------------------------------------------------------------------------------------------------------------------------------------------------------------------------------------------------------------------------------------------------------------------------------------------------------------------------------------------------------------------------------------------------------------------------------------------------------------------------------------------------------------------------------------------------------------------------------------------------------------------------------------------------------------------------------------------------------------------------------------------------------------------------------------------------------------------------------------------------------------------------------------------------------------------------------------------------------------------------------------------------------------------------------------

※Above-mentioned JUKI ECO PRODUCTS is data of PLC-2760S-7 (with automatic thread trimmer).



JUKI CORPORATION HEAD OFFICE
 Juki Corporation operates an environmental management system to promote and conduct the following as the company engages in the research, development, design, sales, distribution, and maintenance of industrial sewing machines, household sewing machines, industrial robots, etc., and in the provision of sales and maintenance services for data entry systems:

- (1) The development of products and engineering processes that are safe to the environment
- (2) Green procurement and green purchasing
- (3) Energy conservation (reduction in carbon-dioxide emissions)
- (4) Resource saving (reduction of papers purchased, etc.)
- (5) Reduction and recycling of waste
- (6) Improvement of logistics efficiency (modal shift and improvement of packaging, packing, etc.)



2-11-1, TSURUMAKI, TAMA-SHI,
 TOKYO 206-8551, JAPAN
 PHONE : (81) 42-357-2254
 FAX : (81) 42-357-2274
<http://www.juki.com>

* Specifications and appearance are subject to change without prior notice for improvement.
 * Read the instruction manual before putting the machine into service to ensure safety.
 * This catalogue prints with environment-friendly soyink on recycle paper.